

# iStar 2.0: Next Steps

---

FISHINGBOWL SESSION

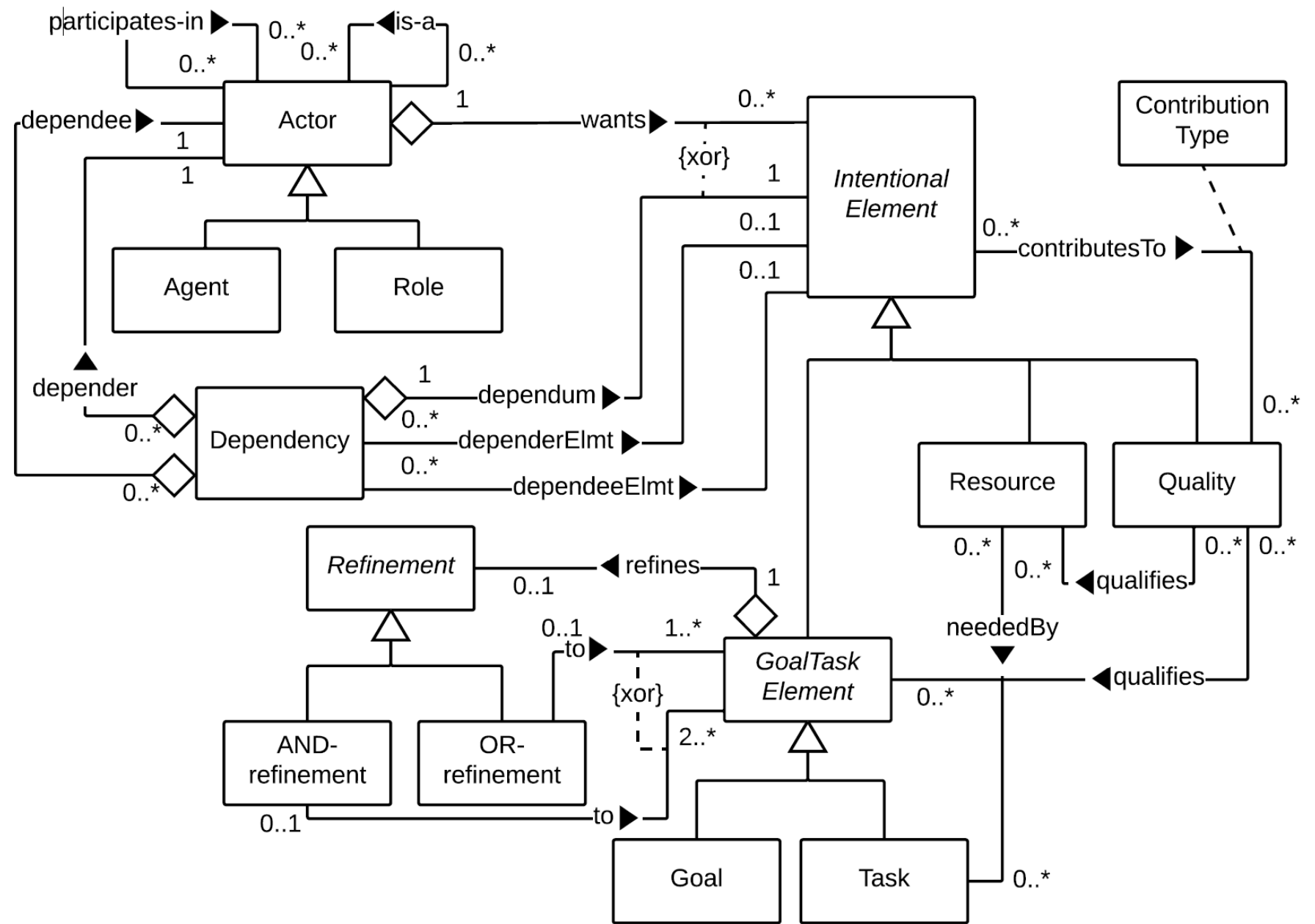
XAVIER FRANCH, ERIC YU, JOAO ARAUJO

# Session Structure

---

- ❑ 3 initial panellists (10)
- ❑ Recruiting panellists from the audience (45)
- ❑ Wrap-up (5 minutes)

# iStar 2.0 Metamodel



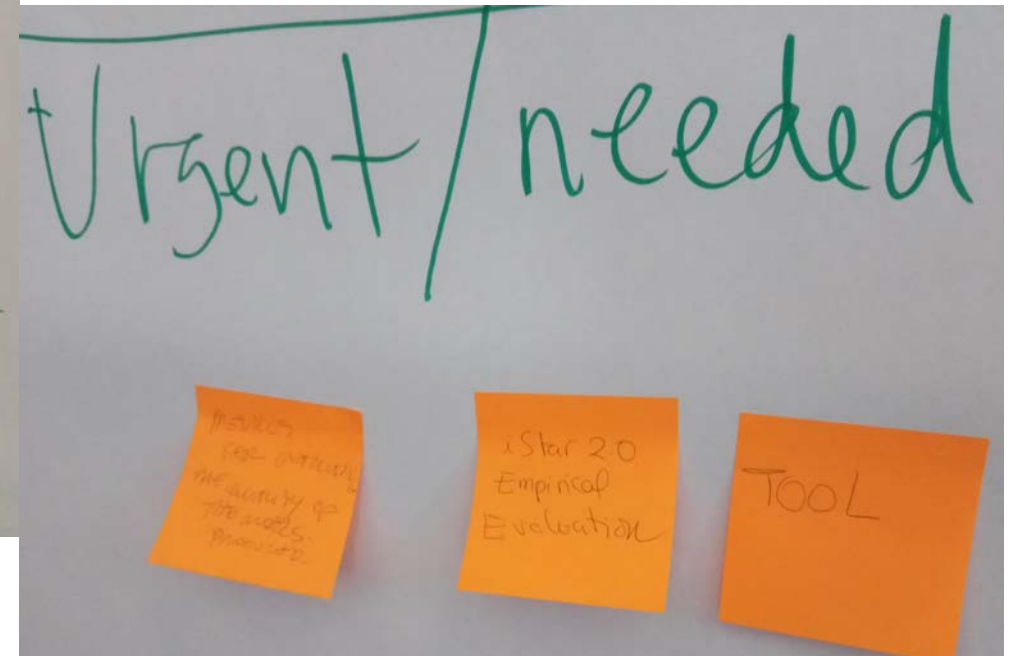
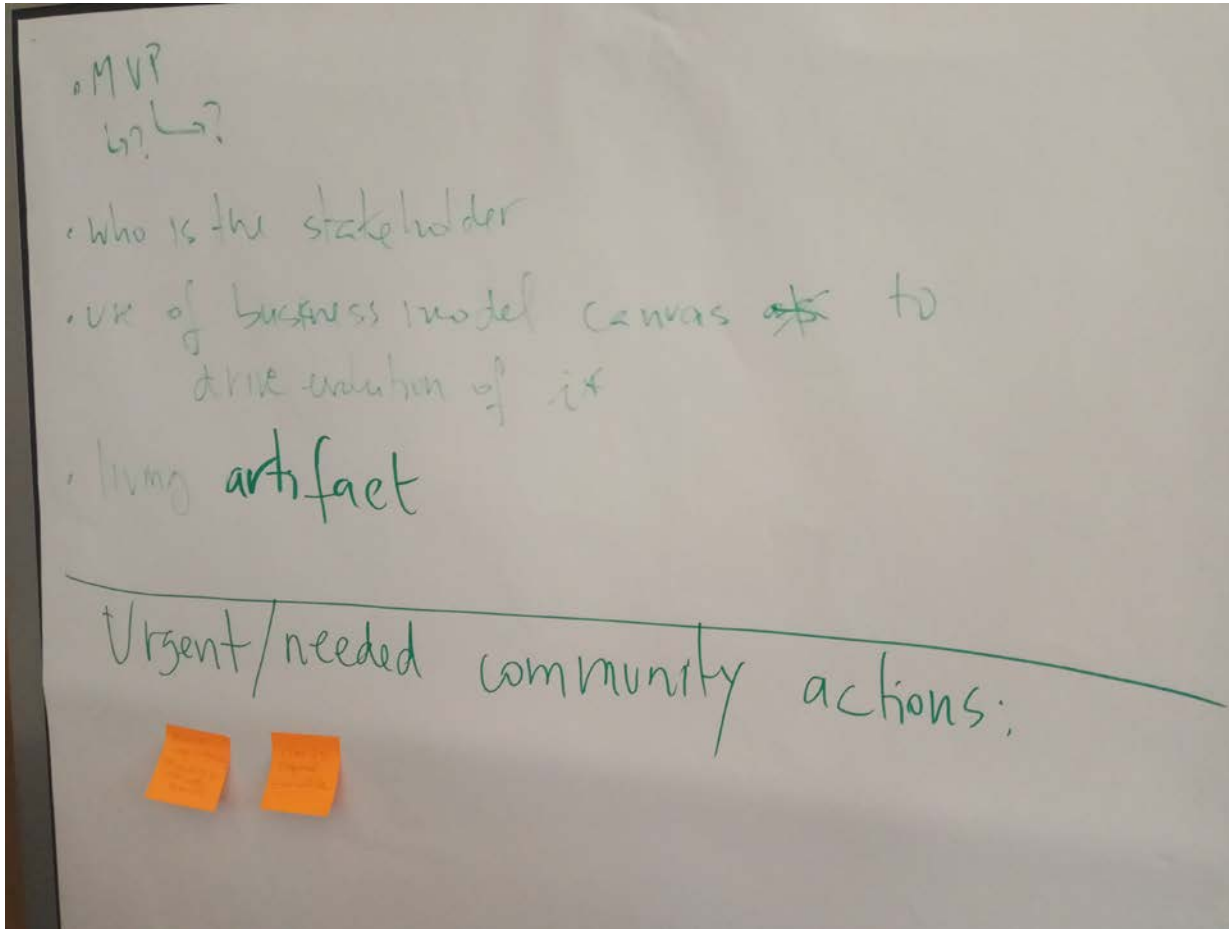
# iStar 2.0 link Rules

---

**Table 1.** Links between intentional elements: overview

		Arrowhead pointing to			
		<i>Goal</i>	<i>Quality</i>	<i>Task</i>	<i>Resource</i>
<b>Link starts from</b>	<i>Goal</i>	Refinement	Contribution	Refinement	n/a
	<i>Quality</i>	Qualification	Contribution	Qualification	Qualification
	<i>Task</i>	Refinement	Contribution	Refinement	n/a
	<i>Resource</i>	n/a	Contribution	NeededBy	n/a

# Initial Thoughts



# Topics

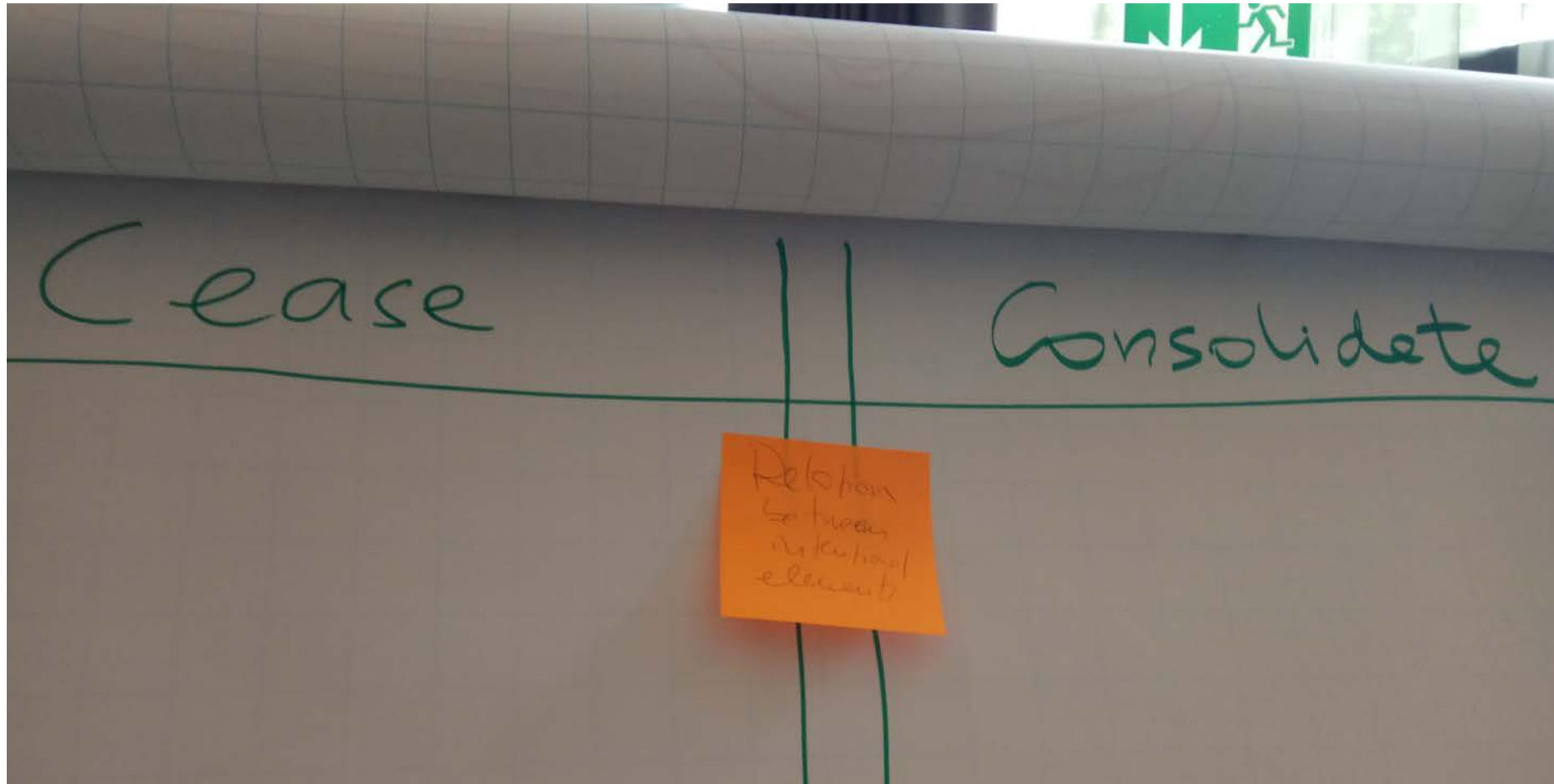
---

- Cease
- Consolidate
- Need Progress
- Open New Fields

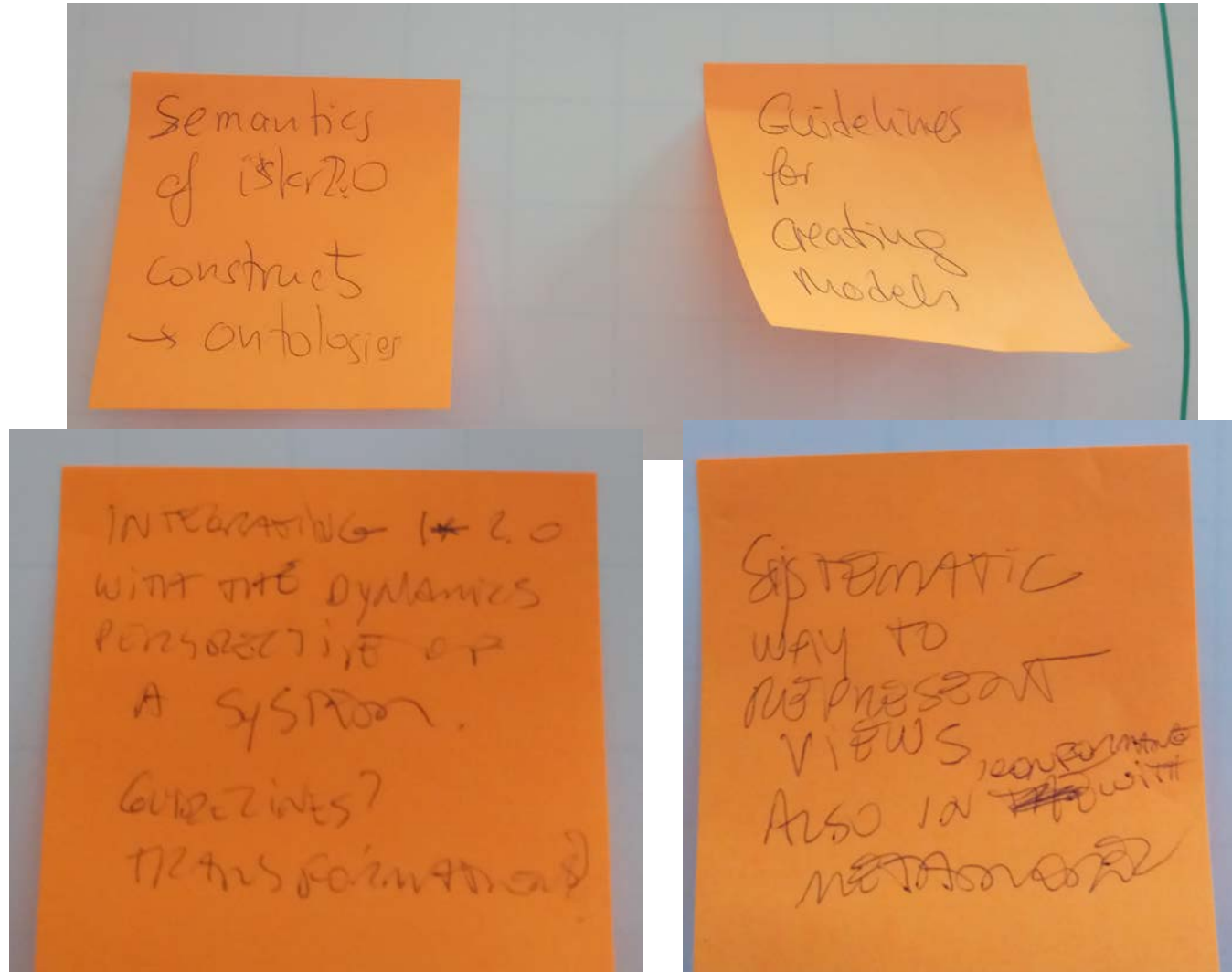
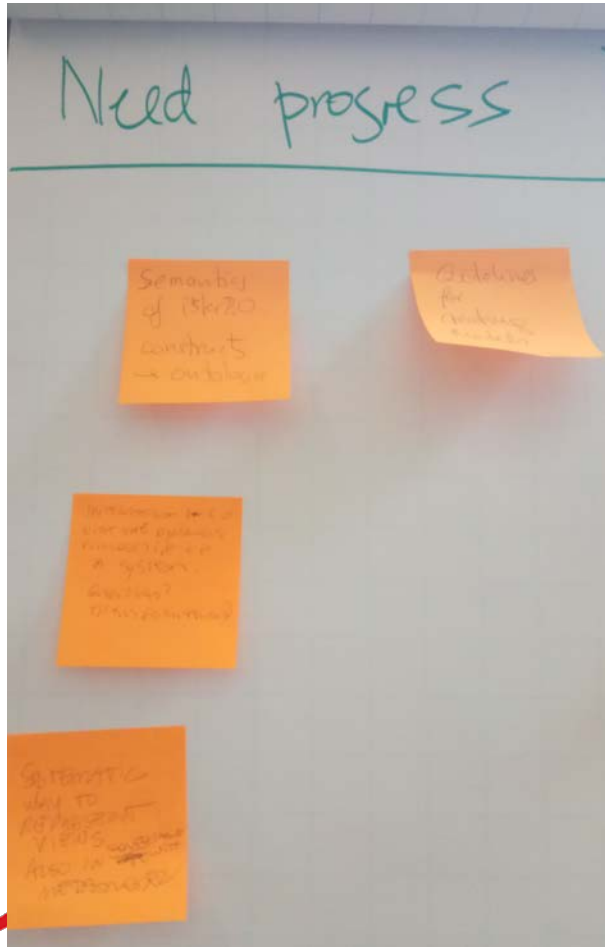


# Cease and/or Consolidate

---



# Need Progress





# Open Fields

